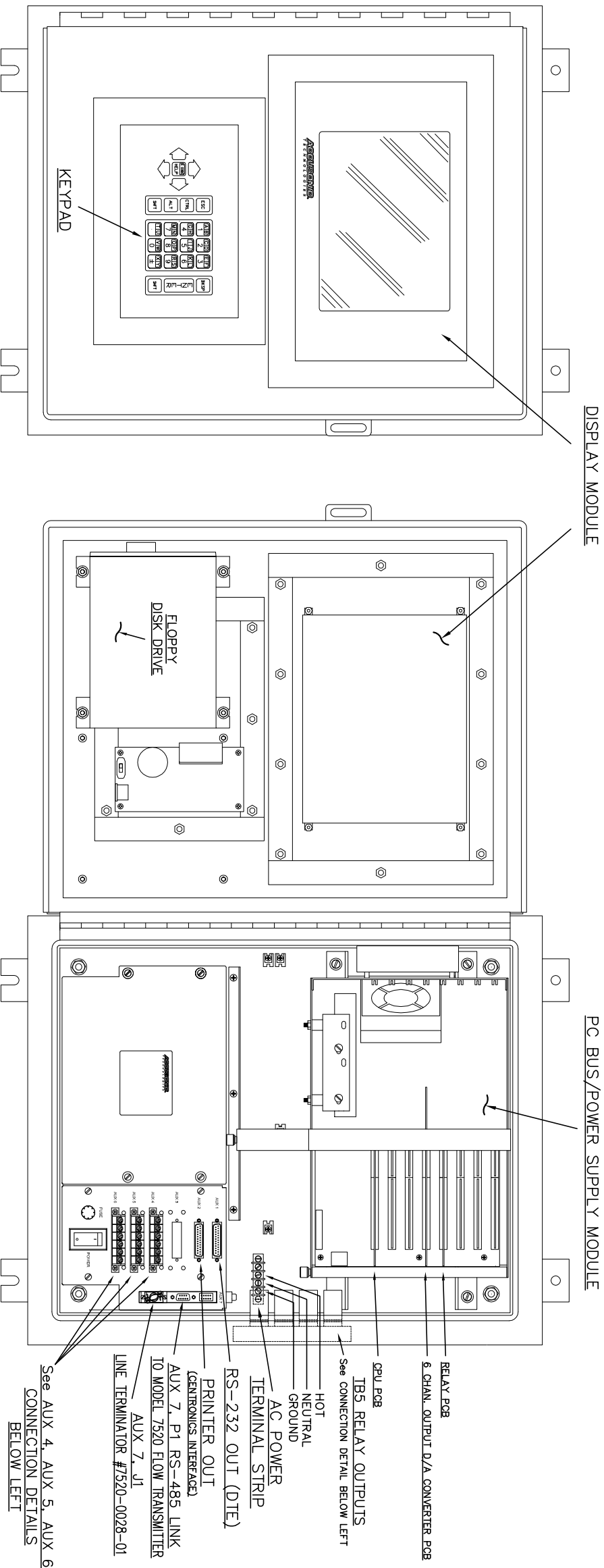
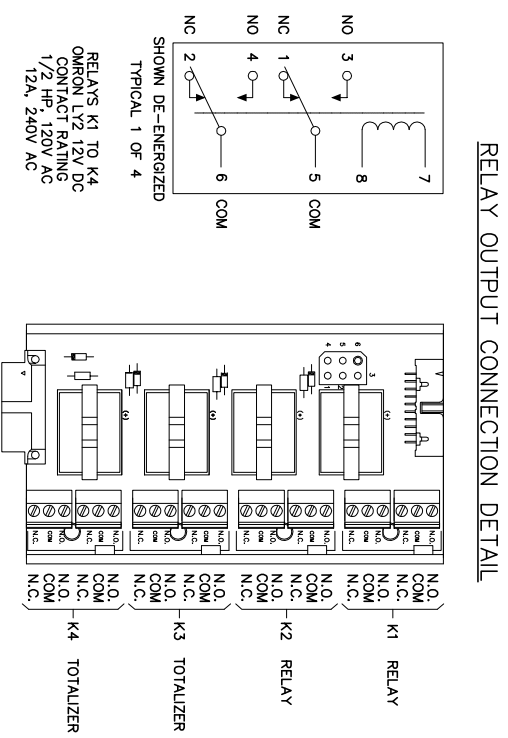


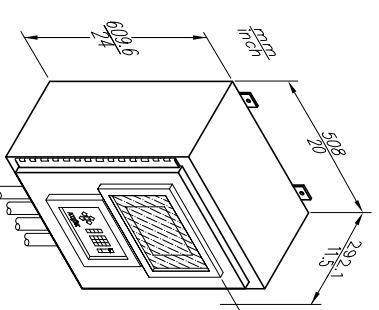
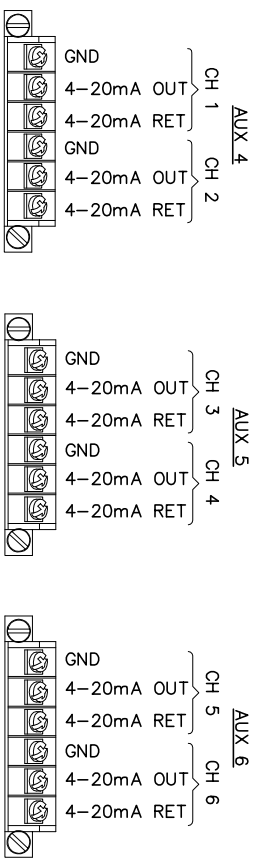
THIS DRAWING IS LOANED WITHOUT OTHER CONSIDERATION THAN THE AGREEMENT AND CONDITION THAT IT IS NOT TO BE REPRODUCED, COPIED, OR OTHERWISE DISPOSED OF, DIRECTLY OR INDIRECTLY, AND IS NOT TO BE USED IN WHOLE OR IN PART TO ASSIST IN MAKING OR TO FURNISH ANY INFORMATION FOR THE MAKING OF DRAWINGS, PRINTS, APPARATUS, OR PARTS THEREOF.



DOOR EXTERIOR DETAIL



4-20mA OUTPUT CONNECTION DETAIL



REVISIONS		DATE	APPROVED
ZONE	LTR	DESCRIPTION	

UNLESS OTHERWISE SPECIFIED DIMENSIONS ARE IN INCHES TOLERANCES ON:		CONTRACT NO.	DATE
DECIMALS X.XX	XXX	Apollis	10/29/05
ANGLES ±			
FRACTIONS ±			
SURFACE ROUGHNESS	✓		
MATERIAL		FILENAME	7530.DWG
		22 Palmyra Brook Rd, Unit 1 TEL: (508) 273-5800 FAX: (508) 273-5899	
MODEL 7530 NEMA 4X EFFICIENCY METER		SIZE CODE IDENT. NO.	DWG. NO.
		C 25993	7530
SCALE: NONE		WT. LBS.	NA
		SHEET	1 OF 1
		REV.	00

4

3

2

NOT A CONTROLLED DOCUMENT UNLESS MARKED CONTROLLED