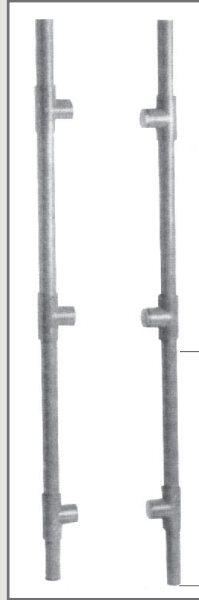


# Array-Mounted Transducer Assembly Model 7616



## About Accusonic

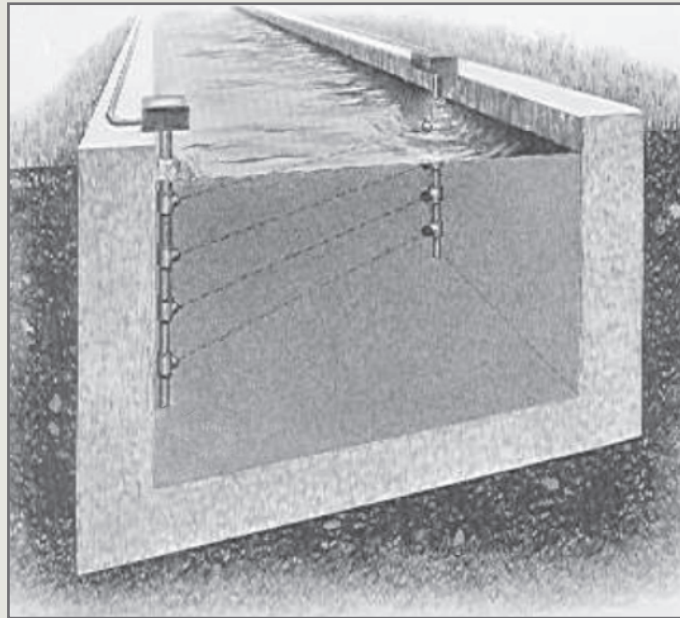
**Accusonic, a division of ADS LLC, designs and manufactures ultrasonic transit-time flow measurement systems that are renowned for their precise accuracy and reliability in difficult operating environments. Accusonic flowmeter systems can be found in hydroelectric plants, thermal power plants, water and wastewater treatment facilities, sewage collection systems, and other types of water flow conveyance pipelines and channels. With over 35 years of experience and over 2500 systems installed worldwide, Accusonic offers a full range of services including installation, system integration, turbine performance testing services, and field training.**



The Accusonic Model 7616 Transducer Assembly is designed for installation in open channels and closed conduits. Constructed in a manner that all surfaces contacting the flow are of PVC, the Model 7616 is resistant to the effects of chemicals, corrosives and similar agents found in wastewater and other hostile environments.

The Model 7616 is designed for permanent mounting in pre-fabricated array sections, configured for site specific requirements. The mounting arrays, also of PVC, are constructed to provide a unitized section which is easily installed and aligned from within the channel. The arrays allow the utilization of up to 8 horizontal paths at a fraction of the cost of conventional transducer installations.

*Accusonic Technologies Model 7616 Array-Mounted Transducer Assembly*



# HARDWARE

## DESIGN SPECIFICATIONS

<b>Operational Frequency:</b>	500 kHz
<b>Path Length Range:</b>	4 ft. to 80 ft. (1.25 m to 25 m)
<b>Maximum Service Pressure:</b>	70 psi (5 bar)
<b>Temperature Limits:</b>	32° to 122° F (0° to 50° C) Operating 14° to 122° F (-10° to 50° C) Storage
<b>Construction Material:</b>	PVC

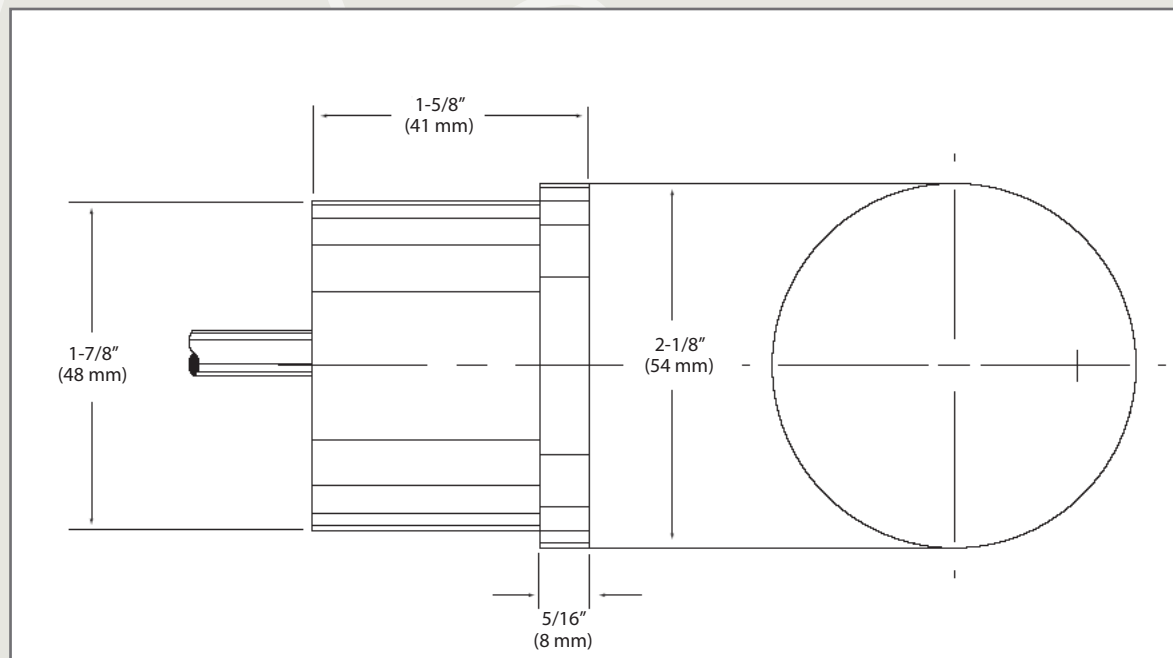
## DIMENSIONAL DATA

<b>Transducer Diameter:</b>	1.9/2.1 in. (48/53 mm)
<b>Transducer Length:</b>	1.6 in. (41 mm)
<b>Integral Cable Length:</b>	25 ft. (7.6 m) - or as specified
<b>Array Diameter:</b>	1.9/2.25 in. (48/57 mm)
<b>Array Length:</b>	To Site-Specific Requirements
<b>Path Capability:</b>	8 Paths Maximum

## SPECIAL FEATURES

- Resistance to Hostile Environments
- Rugged Design
- Simple Installation Process

Contact Accusonic Technologies for information on transducers recommended for specialized applications.



**ACCUSONIC**  
A Division of ADS LLC  
ADS. An IDEX Fluid & Metering Business. **IDEX**